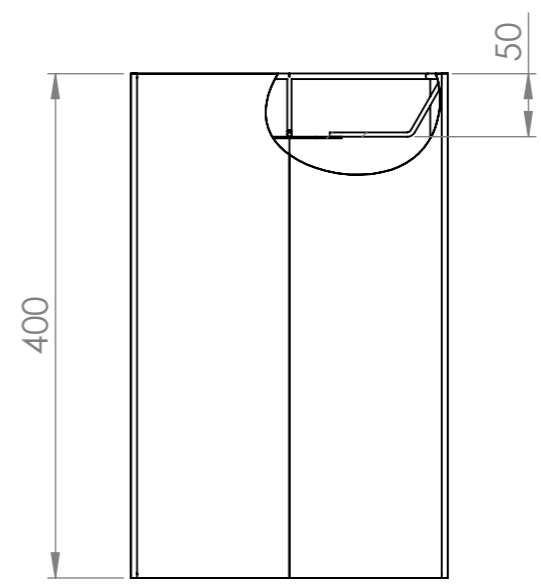
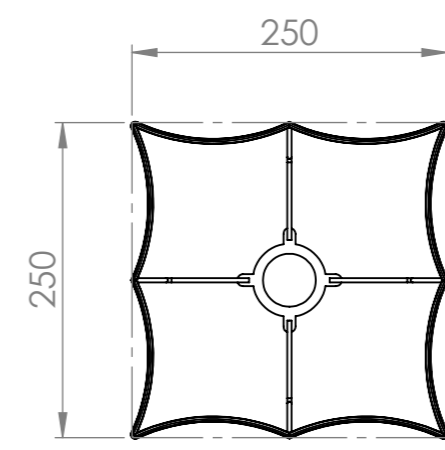
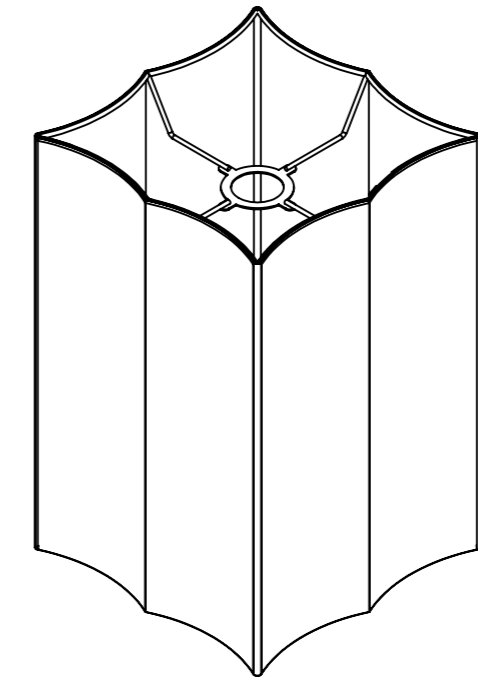


8 7 6 5 4 3 2 1

F  
E  
D  
C  
B  
A

PART NUMBER	SQVY-250-250-400H-50-E27 If being hung as a pendant we recomend buying a rod suspension kit to prevent rotation: SPK-ROD-E27-XXXX (where XXXX is replaced with the distance in mm from ceiling to shade ring)
DESCRIPTION	Squavy Lampshade Square 250 x 250 By 400 High
LIGHT SOURCE	Not included with shade.
WIRING	Without suspension kit this shade has no electrical parts. The recomendad suspension kit includes an E27 lamp holder which comes wired through to ceiling cup.
SUSPENSION	Shade is attached to E27 lamp holder with shade rings. Lamp holder and rings are not included with SQVY-250-250-400H-50-E27.
MATERIALS	Steel wire frame with fabric covered PVC panel sides.
WEIGHT (estimated)	0.43Kg



8 7 6 5 4 3 2 1

F  
E  
D  
C  
B  
A