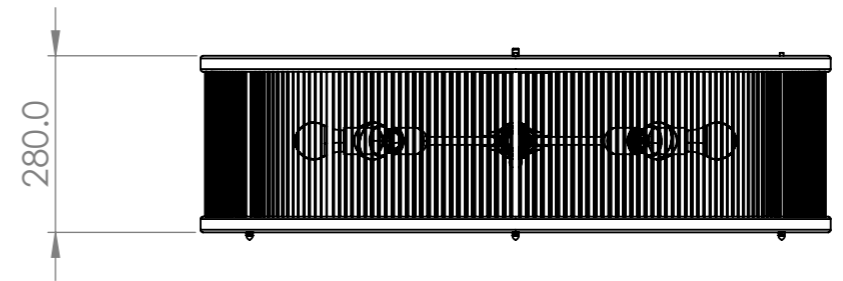
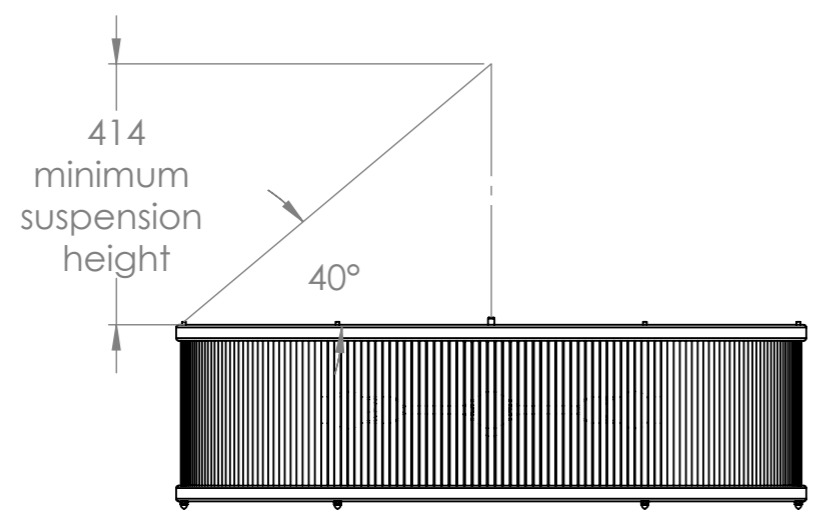
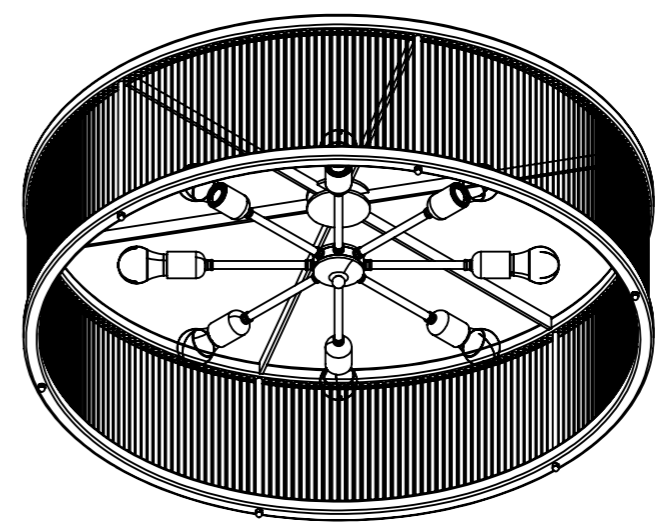
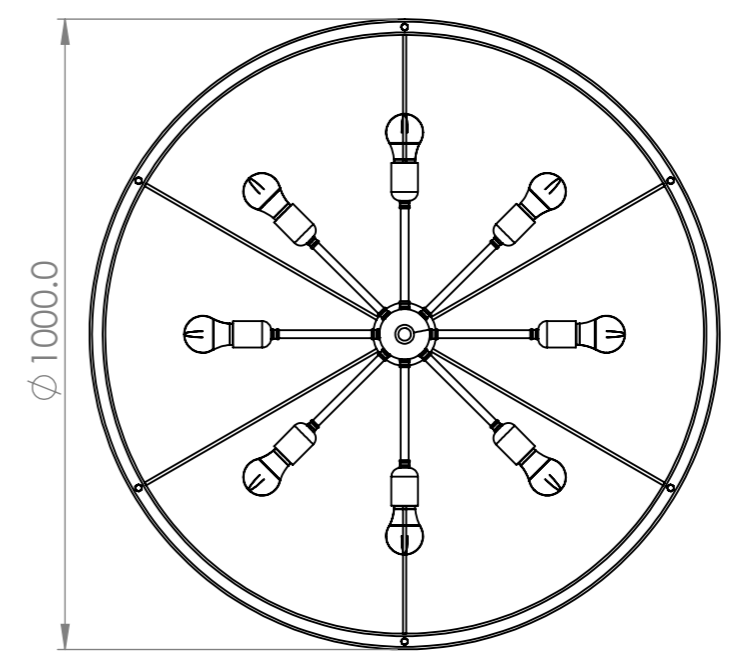


8 7 6 5 4 3 2 1

F
E
D
C
B
A



PART NUMBER	BODHRAN-1000-280
DESCRIPTION	Acrylic Rod Drum 1000mm dia 280mm high
LIGHT SOURCE	8 x E27 (ES) lamps (lamps not supplied)
WIRING	Mains powered.
SUSPENSION	3 catenary wires from a ceiling cap to clutches. Wires 3m as standard. min suspension height applys.
MATERIALS	Steel rings with frame welded into the top ring. Rings spaced with steel struts. Steel lighting rig in center. Steel parts powder coat painted. Acrylic tubes and acrylic dust guard.
WEIGHT (estimated)	16.6Kg



8 7 6 5 4 3 2 1

F
E
D
C
B
A